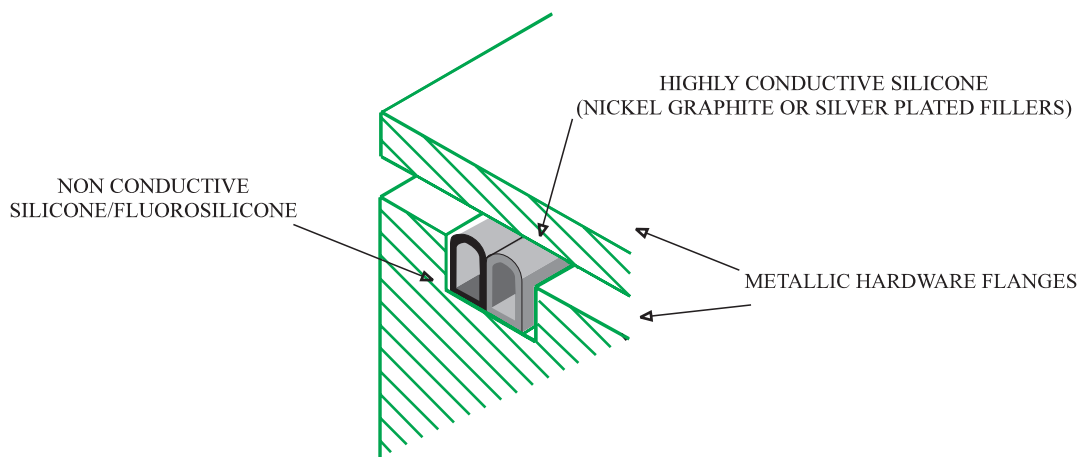


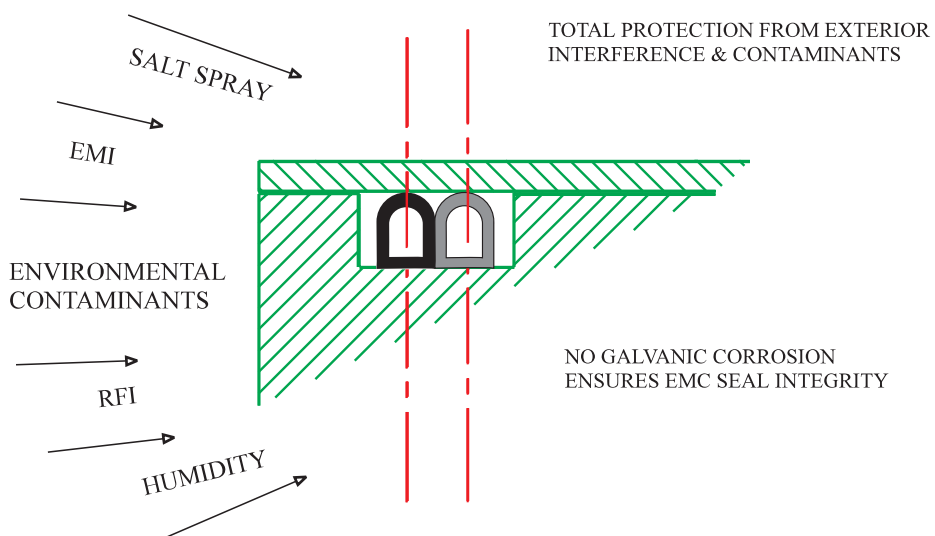
The Solution

Developed to address the dual requirements of environmental sealing and high levels of AEMC shielding.

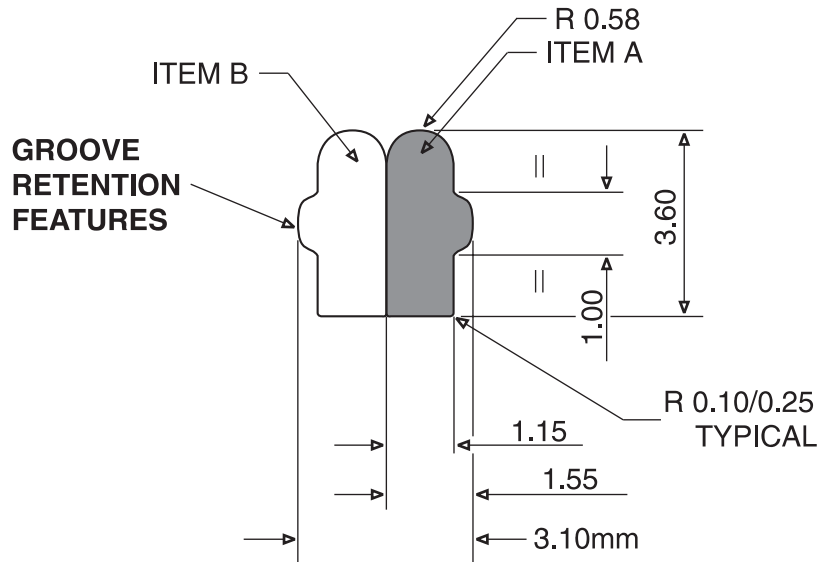
Eliminates the potential for galvanic corrosion associated with highly conductive materials when used with dissimilar metallic hardware.



'DUO SEAL' FROM T C SHIELDING - THE ULTIMATE PROTECTION



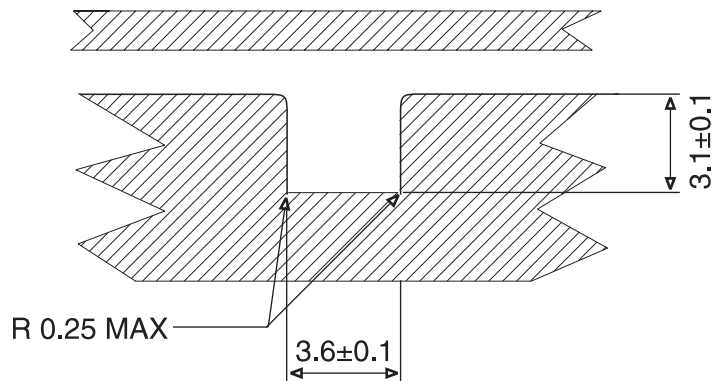
Typical Duo Seal & Groove Detail



ITEM A : CONDUCTIVE R/F SEAL
 ITEM B : NON-CONDUCTIVE SEAL

NOTES:
 MAXIMUM SECTIONAL AREA = 5.13mm PER SECTION
 ITEMS A AND B ARE CO-VULCANISED
 DUO SEAL PART No. ES-XX-176

RECOMMENDED GROOVE DETAIL FOR DUO SEAL REF ES-XX-176

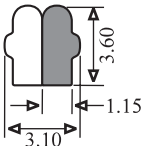
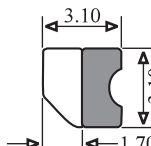
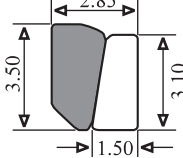
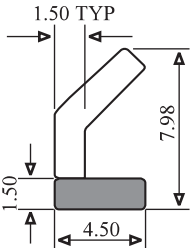
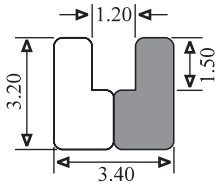
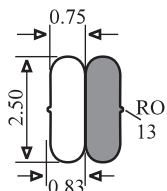
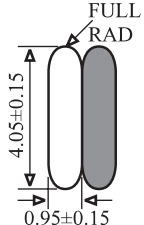
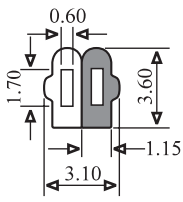
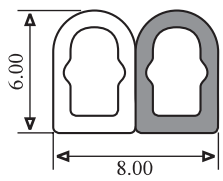


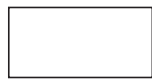

NOTES ON DUO SEAL REF: ES-XX-176

- ❖ MAX COMPRESSION: 20% ❖
- ❖ MIN COMPRESSION: 7.2% ❖
- ❖ GROOVE TOLERANCE: ± 0.10 mm ❖
- ❖ DUO SEAL TOLERANCE: ± 0.15 mm ❖
- ❖ MAX SEAL SECTIONAL AREA: 10.26mm² ❖
- ❖ SEAL MAX/MIN HEIGHT: 3.75mm/3.45mm ❖
- ❖ GROOVE MAX/MIN HEIGHT: 3.2mm/3.0mm ❖
- ❖ MIN GROOVE SECTIONAL AREA: 10.50mm² ❖

Special Duo Extruded Profiles

Non standard profiles that have been developed to suit specific customer applications for high spec RFI / IP applications.
 Made from co extruded conductive and non conductive elastomer profiles.

| | | |
|--|--|--|
| <p>ES-XX-176</p>  | <p>ES-XX-204</p>  | <p>ES-XX-233</p>  |
| <p>ES-XX-281</p>  | <p>ES-XX-662</p>  | <p>ES-XX-667</p>  |
| <p>ES-XX-743</p>  | <p>ES-XX-753</p>  | <p>ES-XX-970</p>  |

| | |
|---|---------------------------------------|
|  | <p>NON-CONDUCTIVE (ENVIRONMENTAL)</p> |
|  | <p>CONDUCTIVE (EMC)</p> |